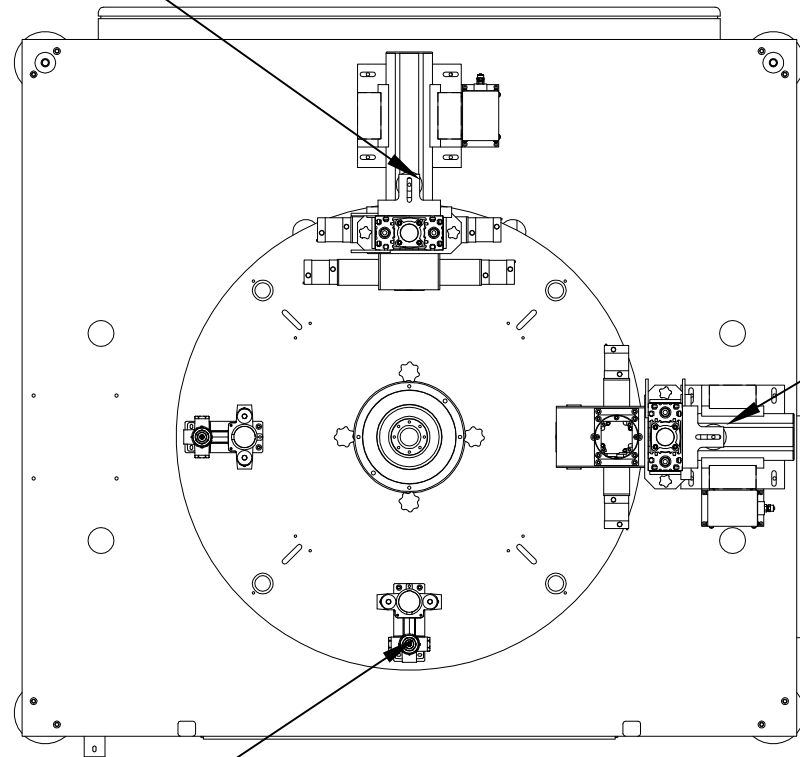


ST.020

AIR PASSAGE TEST AND OPEN
FAUCET LEAKAGE TEST



ST.030

CLOSED FAUCET LEAKAGE
TEST

ST.010

BLUIT-IN THERMOSTATIC
FAUCET LOADING

TESTING MACHINE FOR BUILT-IN THERMOSTATIC FAUCETS