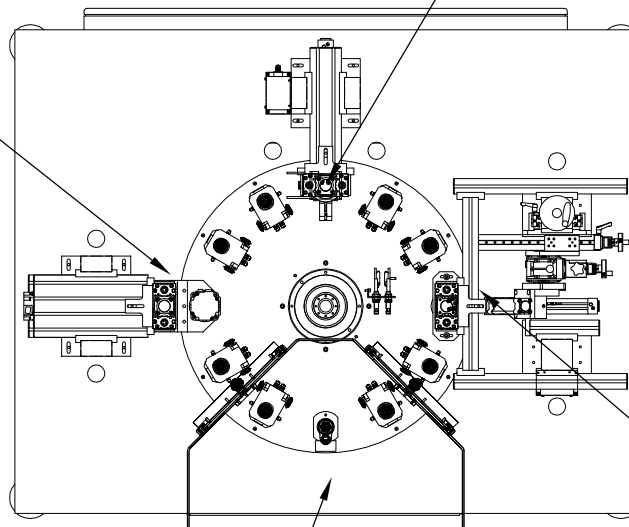


ST.020
RING NUT TIGHTENING

ST.030
LEAK TEST (CLOSE)



ST.010
BODY, CARTRIDGE, RING NUT AND
FITTING LOADING

ST.040
LEAK TEST (OPEN)

SINGLE LEVER MIXER FAUCET ASSEMBLY AND TEST MACHINE