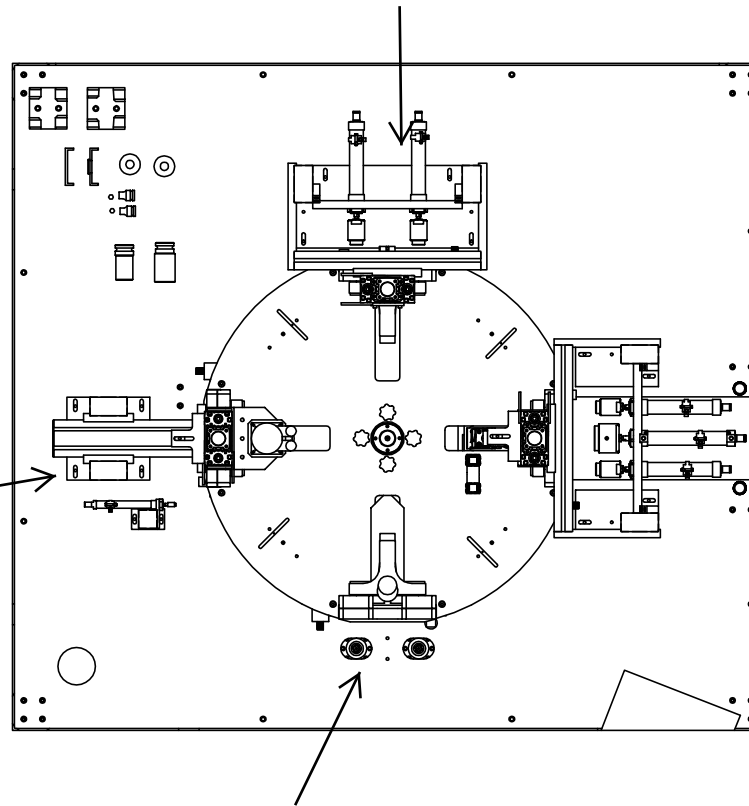


st 30
test (close position and flow test)

st 20
ring nut and diverter tightening

st 40
test (open position and
diverter moving)



st 10
body, cartridge, ring nut, diverter and nuts loading

ASSEMBLY AND TEST MACHINE FOR BATH/SHOWER FAUCET