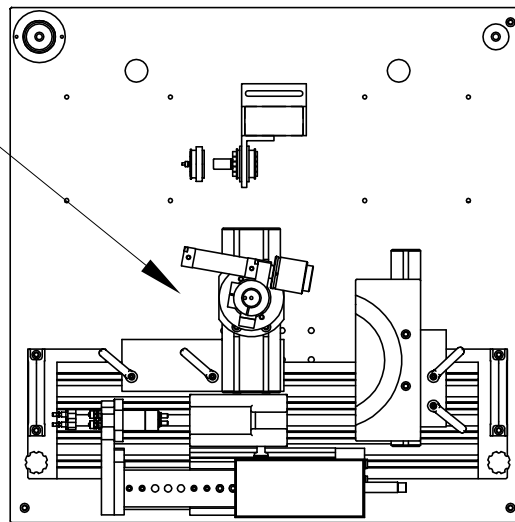


ST.020
TEST



ST.010
LOADING AND UNLOADING

FAUCET TEST BENCH