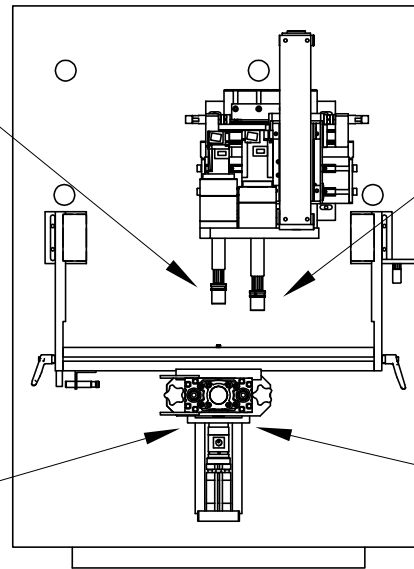


ST.040
UNSCREWING

ST.020
SCREWING

ST.030
LEAK TEST

ST.010
LOADING AND UNLOADING



ASSEMBLY AND TEST FAUCETS