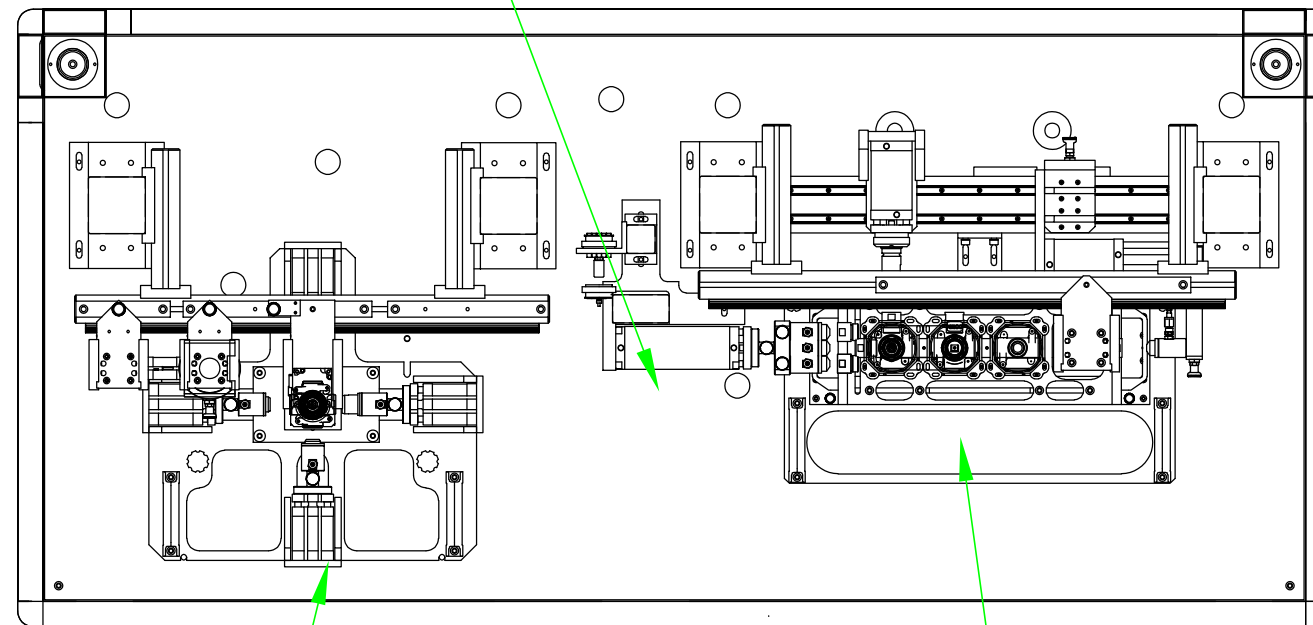


## ST.010

LEAKAGE AIR TEST WITH TWO  
DEDICATED EQUIPMENT



**P1**

SINGLE MODULE TESTING

**P2**

ASSEMBLED MODULES TESTING

# TEST BENCH FOR BUILT-IN FAUCETS