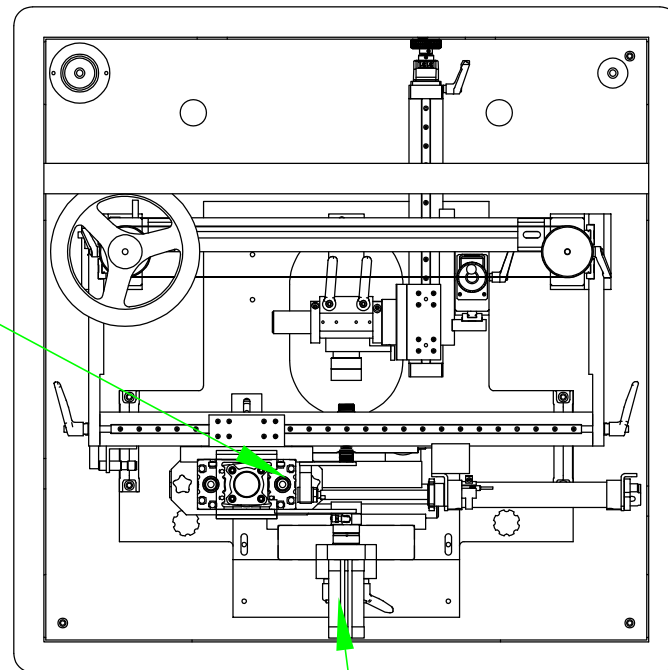


ST.020
AUTOMATIC
AIR LEAKAGE
TESTING



ST.010
MANUAL UNLOADING OF THE TESTED FAUCET
AND LOADING OF THE FAUCET TO BE TESTED

TEST BENCH FOR THERMOSTATIC FAUCET