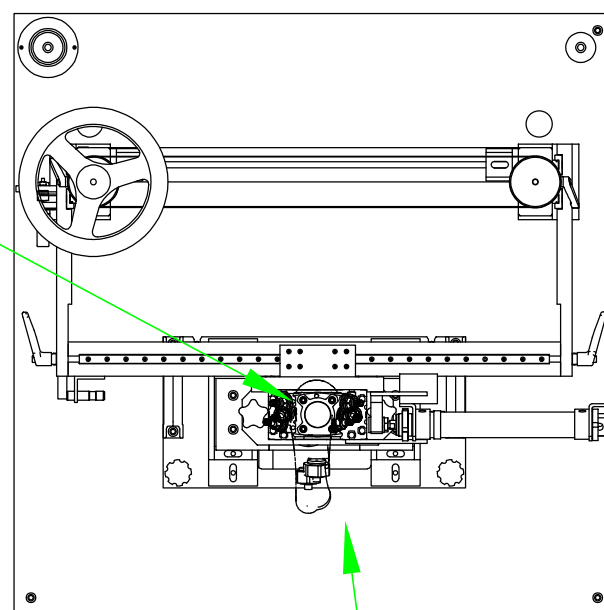


**ST.020**  
AUTOMATIC  
AIR LEAKAGE  
TESTING



**ST.010**  
MANUAL UNLOADING OF THE TESTED FAUCET  
AND LOADING OF THE FAUCET TO BE TESTED,  
WITH SCREWING ONTO THE FIXTURE

## TESTING BENCH FOR FAUCETS WITH 2 HEADWORKS